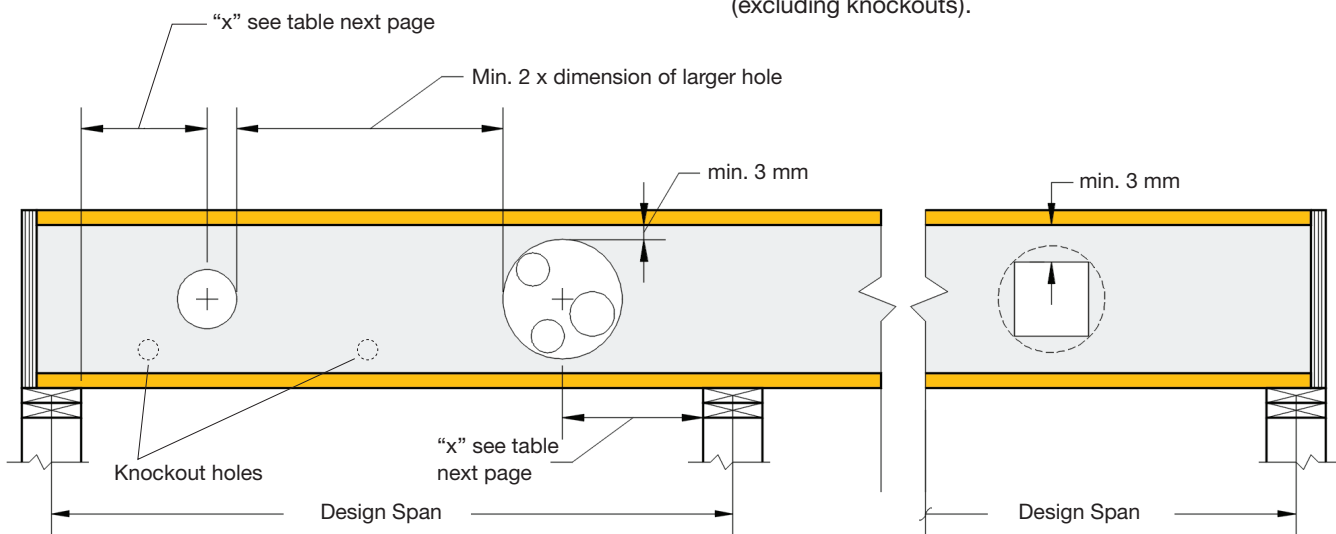


# Dindas I-Joist web holes

Web holes may be cut in the I-Joist web to accommodate electrical wiring, plumbing lines and other mechanical systems based on the following rules:

1. Holes must be sized and located in compliance with the holes charts. Holes may be located vertically anywhere in the web provided a minimum distance of 3 mm of web remaining between the edge of the hole and the flanges.
2. Where more than one hole is necessary, the distance between the adjacent holes edges must be a minimum of twice the diameter of the largest circular hole or twice the size of the largest square/rectangular hole.

3. Knockout holes (40 mm circular predrilled holes spaced approximately 400 mm on center spacing) are not considered holes and they can be utilised anywhere they occur. Knockouts can be ignored for the purposes of calculating the minimum distances between the holes and the maximum number of holes allowed for each span.
4. A 40 mm circular hole is permitted anywhere in cantilever spans. A 40 mm circular hole can be placed anywhere in the web provided that it meets the requirements of rule 2.
5. A group of circular holes at approximately the same location shall be permitted if they meet the requirements for a single circular hole circumscribed around them.
6. All holes must be cut in a workman-like manner.
7. No more than three holes (any shapes) are permitted per span (excluding knockouts).



## Knockout holes

Knockouts are prescored holes for the contractor's convenience to install electrical or small plumbing lines. They are 40 mm in diameter, and are spaced approximately 400 mm on center along the length of the I-Joist. Where possible, it is preferable to use knockouts instead of field cutting holes. For floor applications, position the I-Joists so the knockouts are all on the bottom of the joist, making it easier to install electrical wiring or residential sprinkler systems.

## How to use the hole chart

- Read across the top of hole chart to the desired hole size (or the next bigger size).
- Follow this column down to the row that represents the I-Joist depth and designation.
- This number indicates the minimum distance from the face of the support to the centerline of the hole.

### Example:

Need a 140 mm round hole in a 240 mm RFPI® 400 Joist with a design span of 4.0 m:

From the hole chart for the round and square web holes:

For a 150 mm round hole, the minimum distance is 1.1 m.

Therefore the minimum distance for the 140 mm round hole is 1.1 m.

