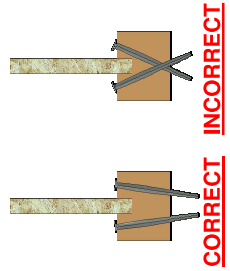
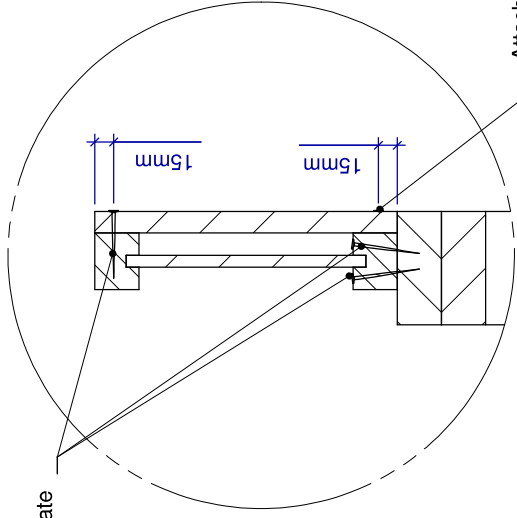


I-JOIST BOTTOM FLANGE FIXING



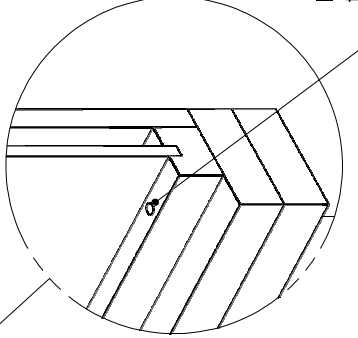
OSB/Plywood Rim

Attach OSB/Plywood Rim to I-Joist and top plate with Ø3.15x65mm nails at 150mm o.c.



Attach with Ø3.15x65mm nails at 150mm o.c.

END VIEW



Install nails at least 40mm from end of joist. Nails may be driven at an angle to avoid splitting the bearing plate.

<p>your partner for engineered timber solutions</p> <p>DINDAS AUSTRALIA ENGINEERING DIVISION</p> <p>433 Wondall Road, Tingalpa 4173, Queensland</p>	DATE CREATED: 28/07/2020	TITLE:	<p>DETAIL 1B3</p> <p>EXTERIOR END WALL SUPPORT</p> <p>(PARALLEL JOISTS)</p>	NOTES:	<p>Private Confidential & Copyright</p> <p>This drawing is the exclusive property of Dindas Australia. Copyright & all rights reserved. You hereby agree and undertake that you will not in anyway utilize, copy reproduce or take advantage of the drawing (or any part thereof) and disclose any information to other parties without the written consent of Dindas Australia.</p>	SIZE
	DRAWN BY: B.S			1. Dimensions are in millimetres.		A4
	CHECKED BY: --			2. Tolerance on all dimensions to be +/- 0.5mm unless noted otherwise.		SCALE
	DWG REV: --			3. Written dimensions take precedence over scaled dimensions.	N.T.S.	

1 2 3 4 5 6

A B C D