

1

2

3

4

5

6

A

A

B

B

C

C

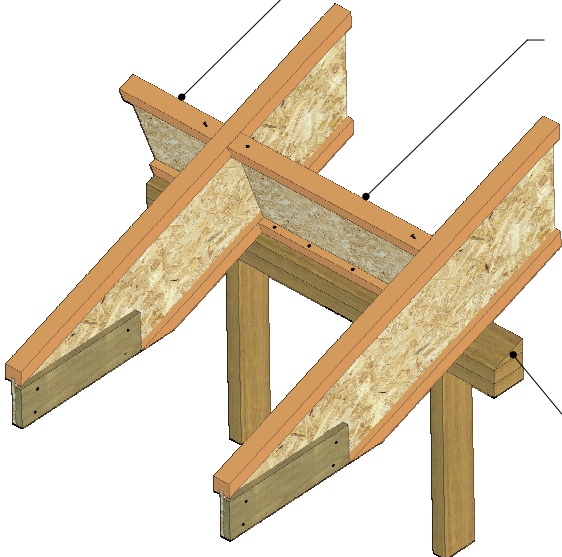
D

D

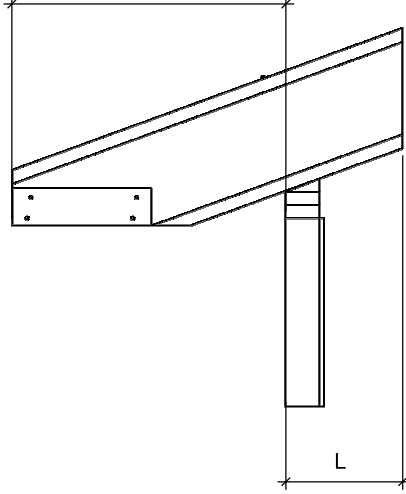
MGP10 90mm x 45mm blocking for fascia support.
Use two rows of Ø3.15x65mm nails (clinched) at 100mm oc. spacing.

I-Joist blocking , X-Bridging, 18mm min. Structural sheathing, or Rim Board as continuous closure.
Connect blocking to top plate with Ø3.15x65mm nails at 150mm oc. spacing unless specified otherwise.

Minimum 50mm continuous bevel plate or variable pitch connector.



L/4 max.
Longer cantilevers may be acceptable as verified by appropriate software or engineering analysis.



your partner for engineered timber solutions

DATE CREATED: 07/08/2020

TITLE:

NOTES:

Private Confidential & Copyright
This drawing is the exclusive property of Dindas Australia. Copyright & all rights reserved. You hereby agree and undertake that you will not in anyway utilize, copy reproduce or take advantage of the drawing (or any part thereof) and disclose any information to other parties without the written consent of Dindas Australia.

SIZE
A4



DRAWN BY: B.S

**DETAIL 3E
RAFTER ON BEVELED PLATE**

1. Dimensions are in millimetres.
2. Tolerance on all dimensions to be +/- 0.5mm unless noted otherwise.
3. Written dimensions take precedence over scaled dimensions.

SCALE
N.T.S

433 Wondall Road, Tingalpa 4173, Queensland

DWG REV: --

1

2

3

4

5

6