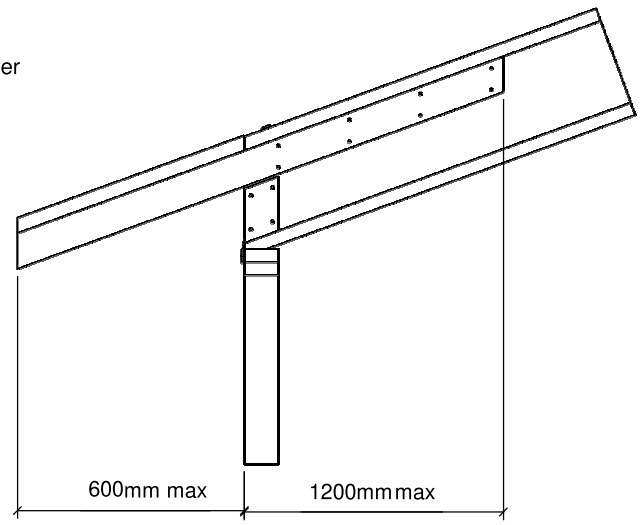


Stop I-Joist at wall line and extend top flange with 38x89mm timber. Support extension with 89x39mm timber nailed to the web of joist with 2 rows of Ø3.15x65mm nails at 200mm oc. spacing clinched. Fasten flange extension to 89x38mm timber with Ø3.15x65mm nails at 200mm oc. spacing.

Bevel cut web stiffeners to match roof slope. Install web stiffeners on each side of web. See web stiffeners requirements below

Birdsmouth cut I-Joist to provide full bearing to bottom flange. Cut must not overhang inside face of plate.



**Web stiffeners requirements:**

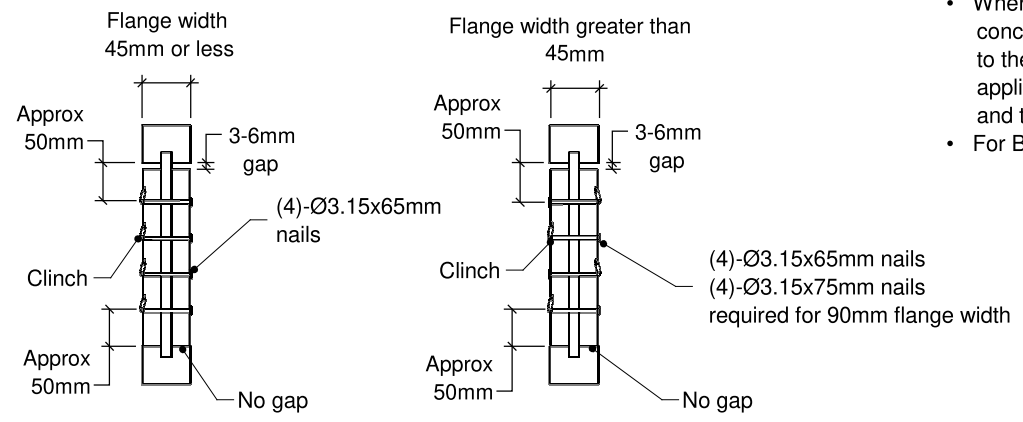


Figure 1

**Notes:**

- 1. Web stiffeners are required:
  - When sides of the hangers do not laterally brace the top flange of each I-Joist.
  - When I-Joists are designed to support concentrated factored loads greater than 9.5kN applied to the I-Joists top flange between supports. In these applications only, the gap between the web stiffener and the flange shall be at the bottom flange.
  - For Birdsmouth cuts on roof I-Joists.
- 2. When used at end bearings, install web stiffeners tight against the bottom flange of the I-Joist. Leave a minimum 3-6mm gap between the top of the stiffener and the bottom of the top flange (see Figure 1).
- 3. Web stiffeners may be cut in the field as required.

RFPI Joist	Flange width (mm)	Web stiffeners size	
		Material	Thickness x min. width (mm x mm), each size of web
RFPI 20	45	Plywood, Seasoned Timber, LVL	19 x 90
RFPI 400	52		21 x 90
RFPI 70	58		25 x 90
RFPI 90	90		39 x 90

your partner for engineered timber solutions

**DINDAS AUSTRALIA**  
ENGINEERING DIVISION

433 Wondall Road, Tingalpa 4173, Queensland

DATE CREATED: 07/06/2021

DRAWN BY: B.S

CHECKED BY: --

DWG REV: --

TITLE:

**DETAIL 3I**

**OPTIONAL OVERHANG EXTENSION**

NOTES:

1. Dimensions are in millimetres.

2. Tolerance on all dimensions to be +/- 0.5mm unless noted otherwise.

3. Written dimensions take precedence over scaled dimensions.

**Private Confidential & Copyright**

This drawing is the exclusive property of Dindas Australia. Copyright & all rights reserved. You hereby agree and undertake that you will not in anyway utilize, copy reproduce or take advantage of the drawing (or any part thereof) and disclose any information to other parties without the written consent of Dindas Australia.

SIZE  
A4

SCALE  
N.T.S