

1

2

3

4

5

6

A

A

B

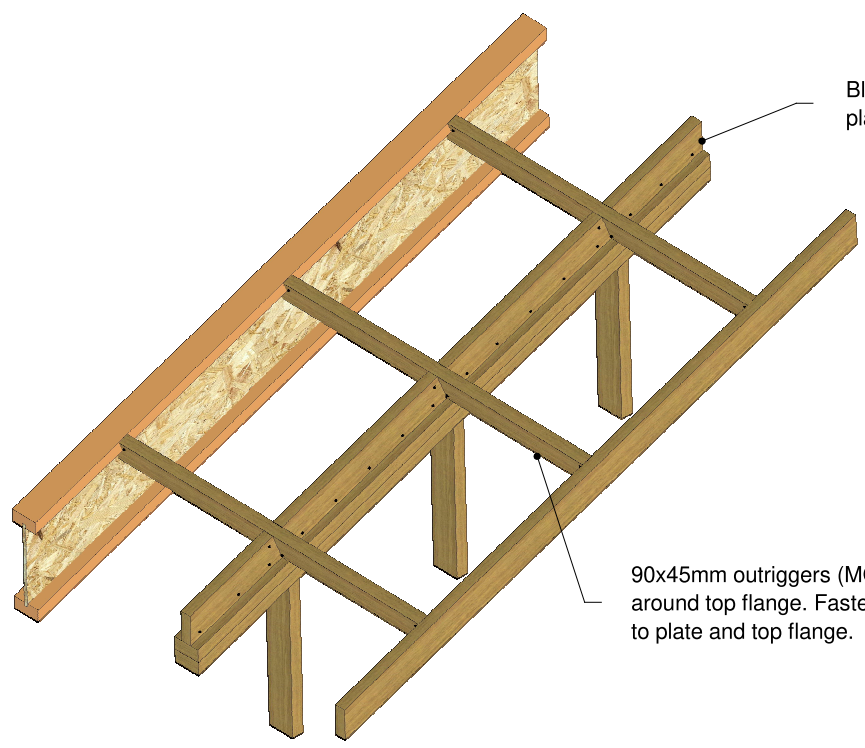
B

C

C

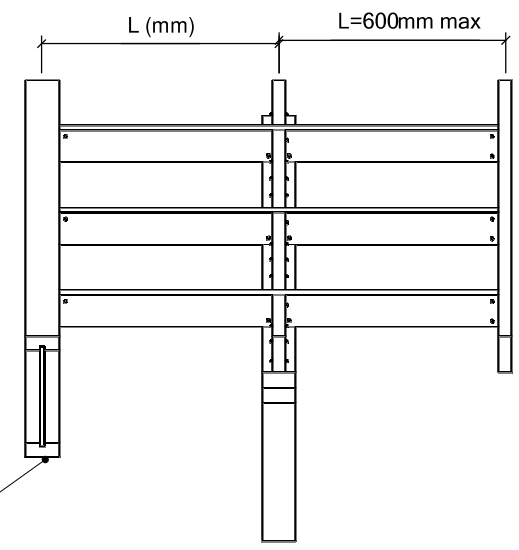
D

D



Blocking between outriggers. Attach blocking to the top plate with nail size and spacing used for roof sheathing edge nailing.

90x45mm outriggers (MGP 10- min. grade) notched around top flange. Fasten with Ø3.15x65mm toe-nail to plate and top flange.



When L exceeds joist spacing, double joist may be required.

*your partner for engineered timber solutions*

**DINDAS AUSTRALIA**  
ENGINEERING DIVISION

433 Wondall Road, Tingalpa 4173, Queensland

DATE CREATED:	07/08/2020
DRAWN BY:	B.S
CHECKED BY:	--
DWG REV:	--

TITLE:

**DETAIL 3J**  
**OVERHANG PARALLEL TO RAFTER**

NOTES:

1. Dimensions are in millimetres.
2. Tolerance on all dimensions to be +/- 0.5mm unless noted otherwise.
3. Written dimensions take precedence over scaled dimensions.

**Private Confidential & Copyright**  
This drawing is the exclusive property of Dindas Australia. Copyright & all rights reserved. You hereby agree and undertake that you will not in anyway utilize, copy reproduce or take advantage of the drawing (or any part thereof) and disclose any information to other parties without the written consent of Dindas Australia.

SIZE  
A4

SCALE  
N.T.S

1

2

3

4

5

6