

1

2

3

4

5

6

A

B

C

D

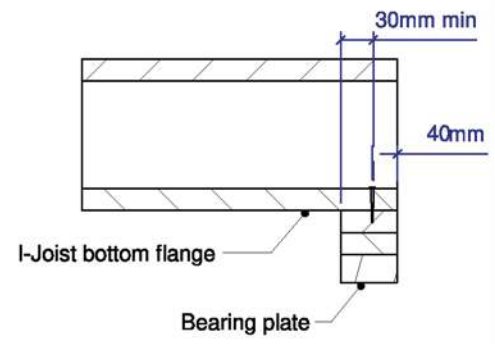
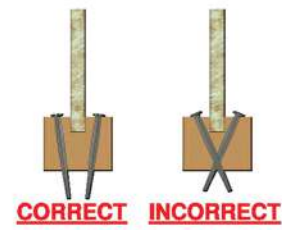
A

B

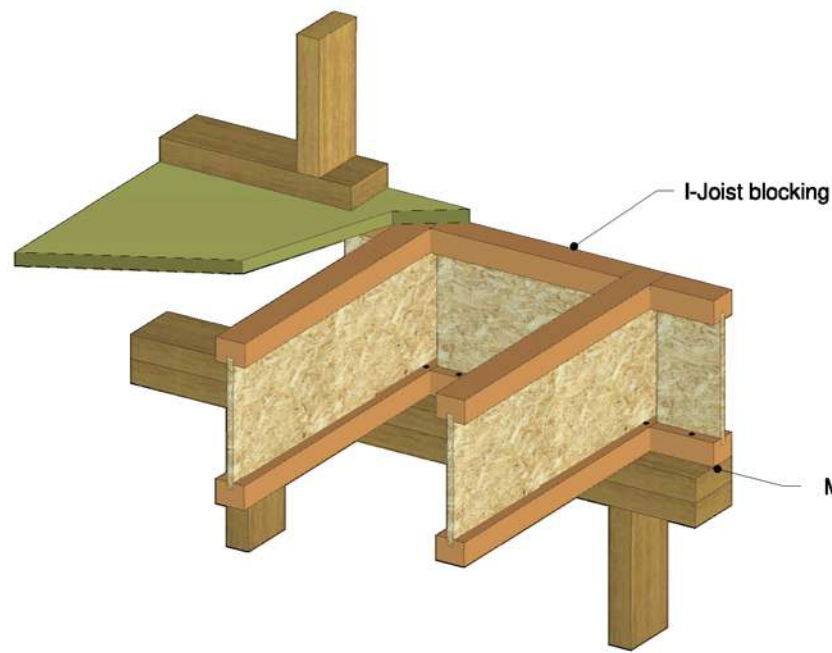
C

D

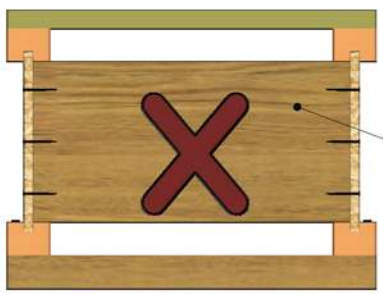
### I-JOIST BOTTOM FLANGE FIXING



Attach I-Joist blocking to top plate with Ø3.15x65 mm nails at 150mm o.c. To avoid splitting the flange, start nails at least 40 mm from the end. Drive nails at an angle to prevent splitting of the bearing plate.(when used for shear transfer, nail to the bearing plate with the same nails as required for decking).



Minimum 35mm end bearing required for I-Joists



Blocking must extend to both top and bottom flanges and skew nailed with Ø3.15x65mm nails, one nail each side of top and bottom flange.

your partner for engineered timber solutions



DATE CREATED: 28/07/2020

DRAWN BY: B.S

CHECKED BY: --

DWG REV: --

TITLE:

DETAIL 1A  
BLOCKING AT EXTERIOR WALL

NOTES:

1. Dimensions are in millimetres.
2. Tolerance on all dimensions to be +/- 0.5mm unless noted otherwise.
3. Written dimensions take precedence over scaled dimensions.

**Private Confidential & Copyright**  
This drawing is the exclusive property of Dindas Australia. Copyright & all rights reserved. You hereby agree and undertake that you will not in anyway utilize, copy reproduce or take advantage of the drawing (or any part thereof) and disclose any information to other parties without the written consent of Dindas Australia.

SIZE  
A4

SCALE  
N.T.S

1

2

3

4

5

6