

1

2

3

4

5

6

A

A

B

B

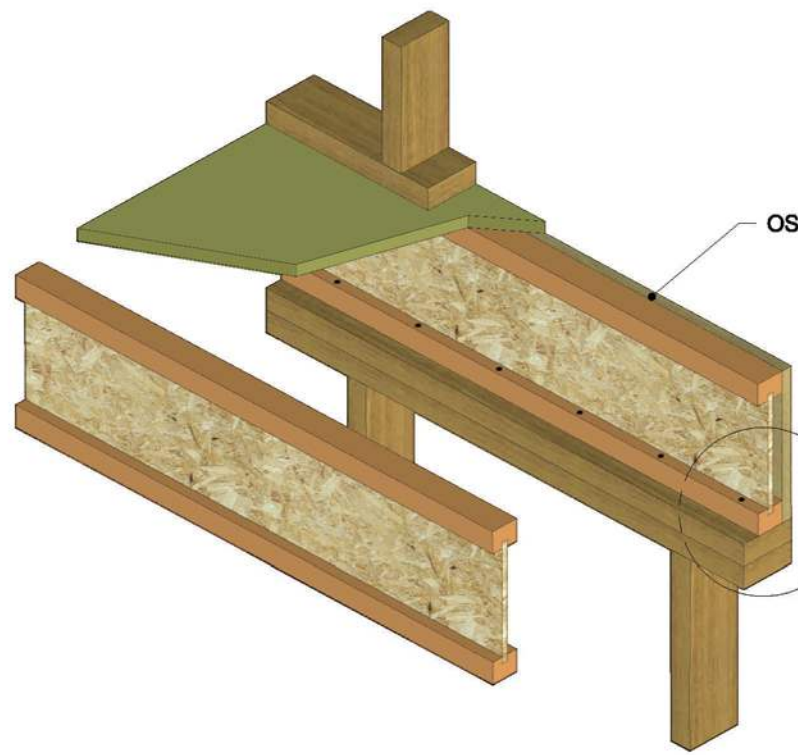
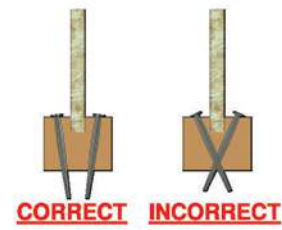
C

C

D

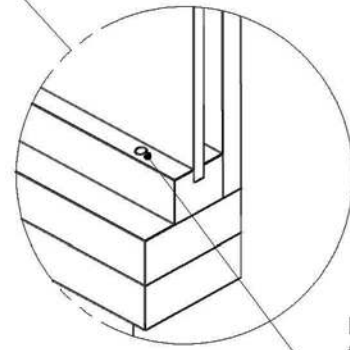
D

I-JOIST BOTTOM FLANGE FIXING

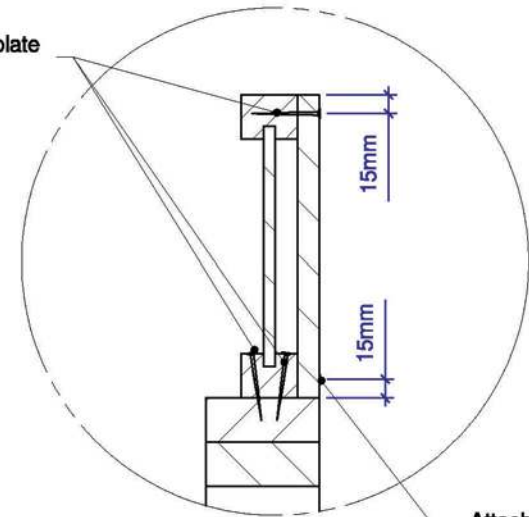


OSB/Plywood Rim

Attach OSB/Plywood Rim to I-Joist and top plate with Ø3.15x65mm nails at 150mm o.c.



Install nails at least 40mm from end of joist. Nails may be driven at an angle to avoid splitting the bearing plate.



END VIEW

Attach with Ø3.15x65mm nails at 150mm o.c.

your partner for engineered timber solutions

DATE CREATED:	28/07/2020
DRAWN BY:	B.S
CHECKED BY:	--
DWG REV:	--

TITLE:

**DETAIL 1B3
EXTERIOR END WALL SUPPORT
(PARALLEL JOISTS)**

NOTES:

1. Dimensions are in millimetres.
2. Tolerance on all dimensions to be +/- 0.5mm unless noted otherwise.
3. Written dimensions take precedence over scaled dimensions.

Private Confidential & Copyright
This drawing is the exclusive property of Dindas Australia. Copyright & all rights reserved. You hereby agree and undertake that you will not in anyway utilize, copy reproduce or take advantage of the drawing (or any part thereof) and disclose any information to other parties without the written consent of Dindas Australia.

SIZE
A4

SCALE
N.T.S

1

2

3

4

5

6