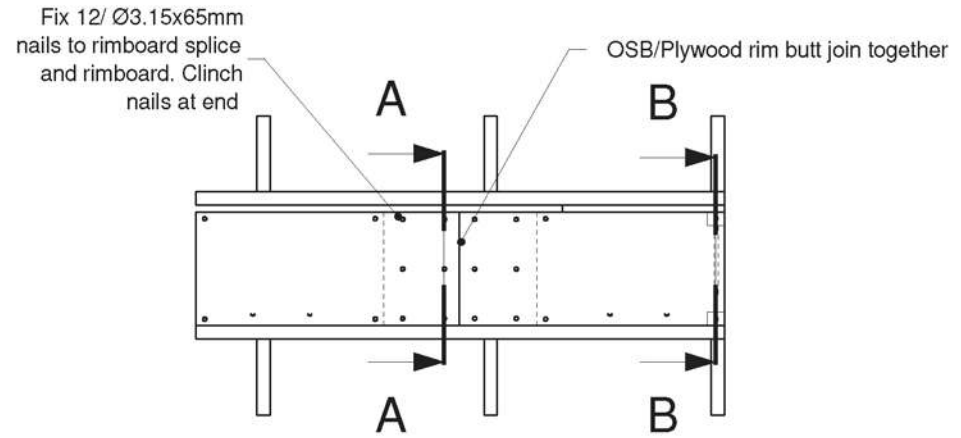
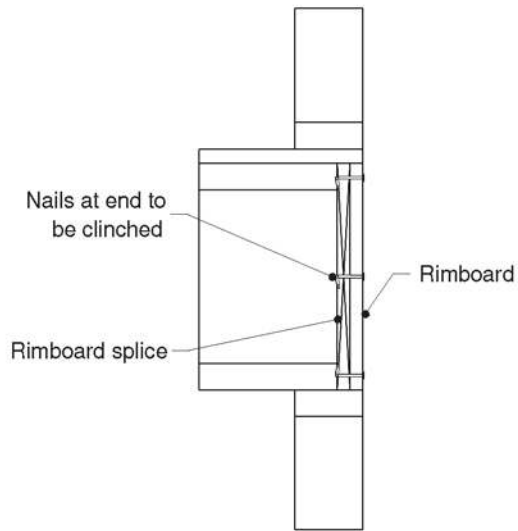


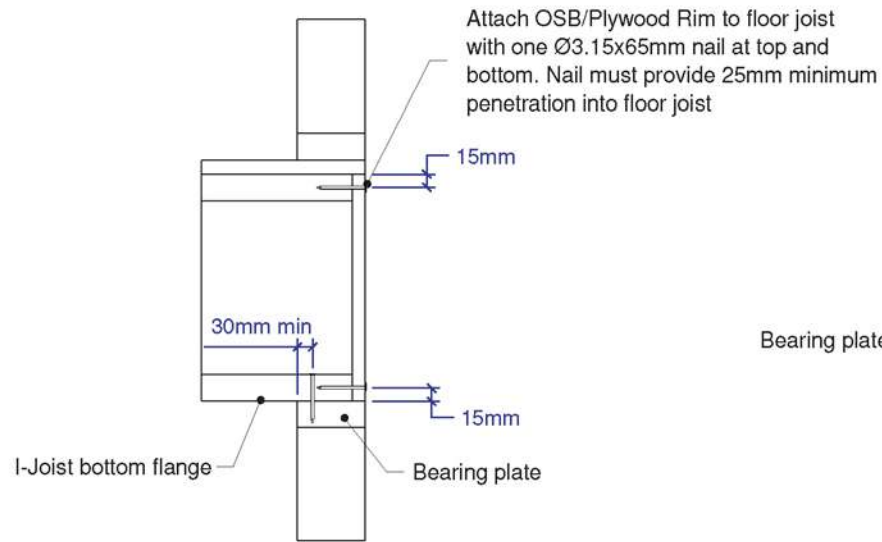
**OPTION 1**



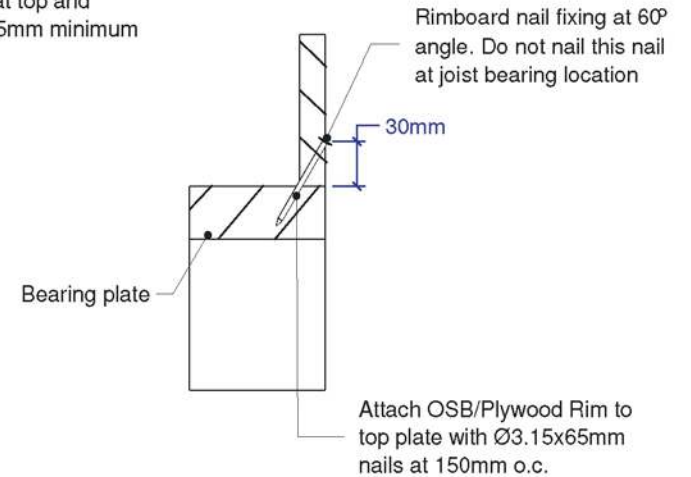
**VIEW FACING RIMBOARD**



**SECTION A-A**



**SECTION B-B**



your partner for engineered timber solutions



DATE CREATED: 03/08/2021

DRAWN BY: B.S  
 CHECKED BY: JRC  
 DWG REV: --

TITLE:

DETAIL 1B.4 - OPTION 1  
 RIMBOARD SPLICE JOINT

NOTES:

1. Dimensions are in millimetres.
2. Tolerance on all dimensions to be +/- 0.5mm unless noted otherwise.
3. Written dimensions take precedence over scaled dimensions.

**Private Confidential & Copyright**  
 This drawing is the exclusive property of Dindas Australia. Copyright & all rights reserved. You hereby agree and undertake that you will not in anyway utilize, copy reproduce or take advantage of the drawing (or any part thereof) and disclose any information to other parties without the written consent of Dindas Australia.

SIZE  
 A4

SCALE  
 N.T.S