

1

2

3

4

5

6

A

B

C

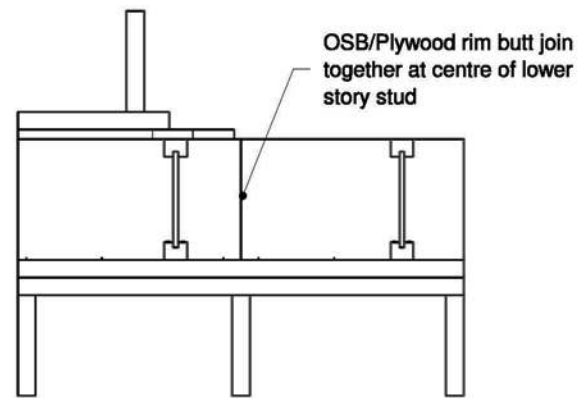
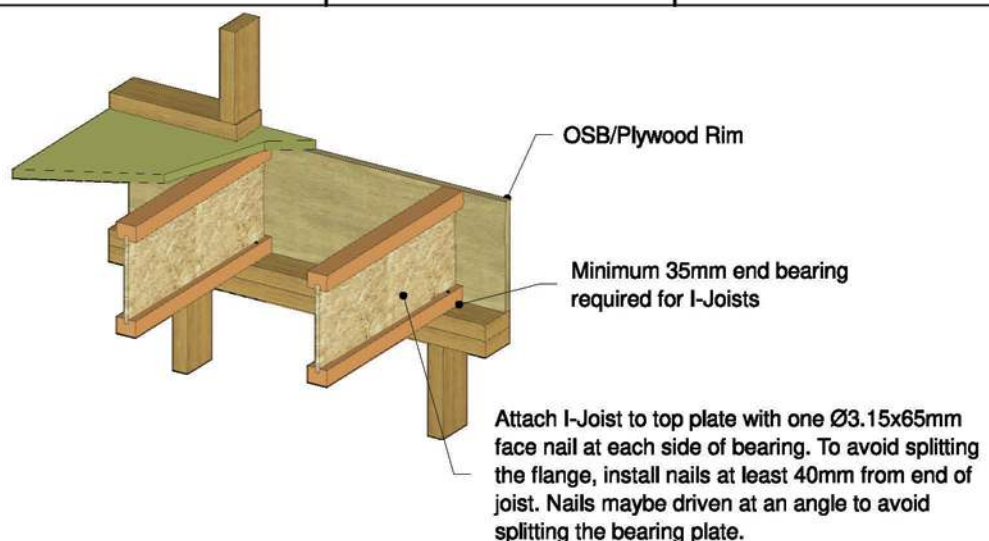
D

A

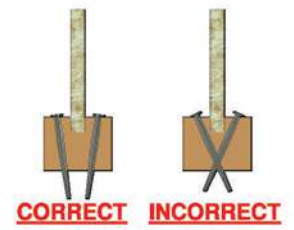
B

C

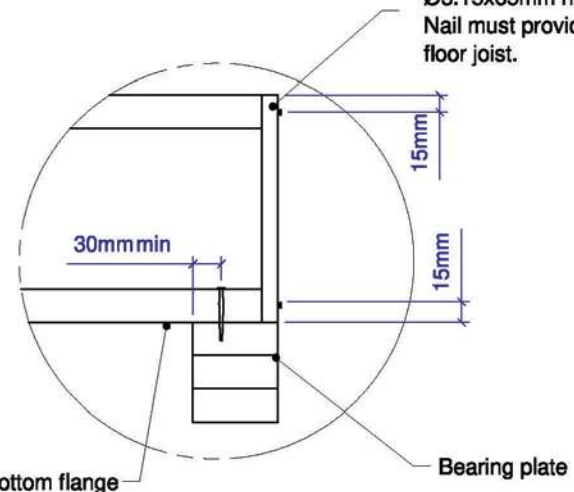
D



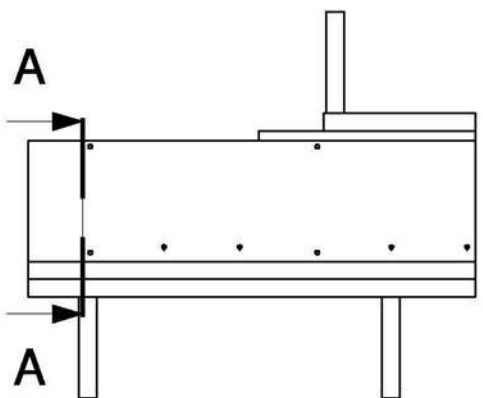
**I-JOIST BOTTOM FLANGE FIXING**



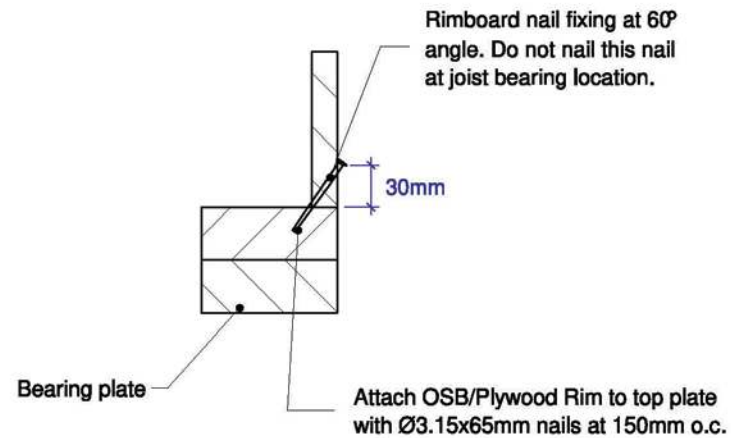
Attach OSB/Plywood Rim to floor joist with one Ø3.15x65mm nail at top and bottom. Nail must provide 25mm minimum penetration into floor joist.



**SECTION A-A**



**VIEW FACING RIMBOARD**



your partner for engineered timber solutions



DATE CREATED: 28/07/2020

DRAWN BY: B.S

CHECKED BY: --

DWG REV: --

TITLE:

**DETAIL 1B.1**

**RIM BOARD AT EXTERIOR WALL**

**(PREP.JOISTS)**

NOTES:

1. Dimensions are in millimetres.
2. Tolerance on all dimensions to be +/- 0.5mm unless noted otherwise.
3. Written dimensions take precedence over scaled dimensions.

Private Confidential & Copyright  
This drawing is the exclusive property of Dindas Australia. Copyright & all rights reserved. You hereby agree and undertake that you will not in anyway utilize, copy reproduce or take advantage of the drawing (or any part thereof) and disclose any information to other parties without the written consent of Dindas Australia.

SIZE  
**A4**

SCALE  
**N.T.S**

1

2

3

4

5

6