

1

2

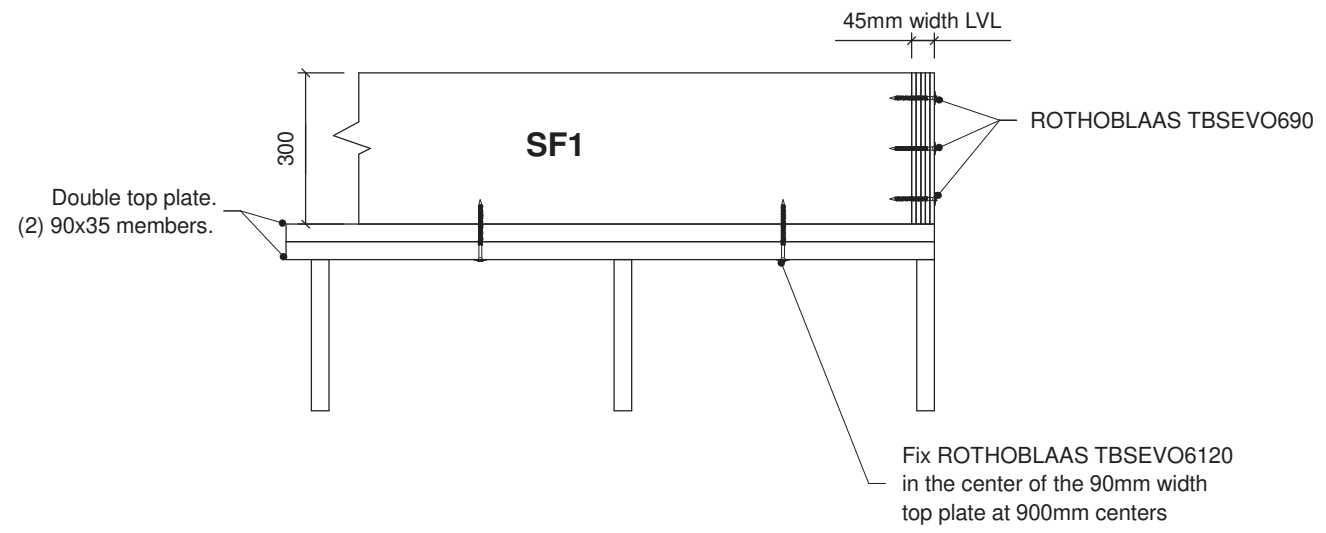
3

4

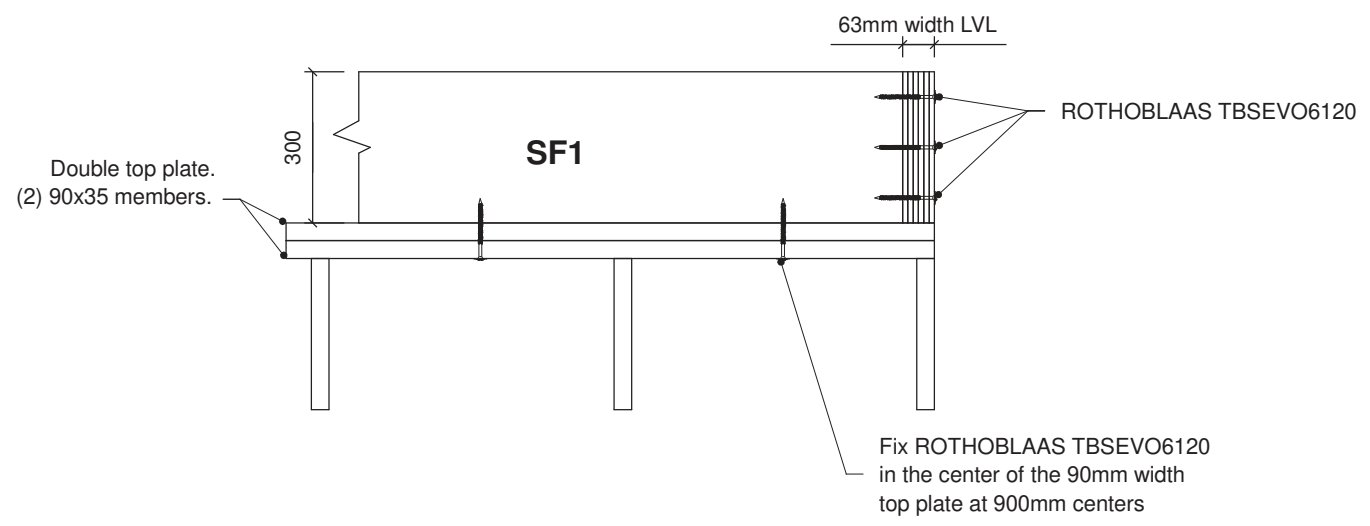
5

6

OPTION 1 - 45mm width LVL



OPTION 2 - 63mm width LVL



your partner for engineered timber solutions

DATE CREATED: 16/06/2021

TITLE:

NOTES:

Private Confidential & Copyright
 This drawing is the exclusive property of Dindas Australia. Copyright & all rights reserved. You hereby agree and undertake that you will not in anyway utilize, copy reproduce or take advantage of the drawing (or any part thereof) and disclose any information to other parties without the written consent of Dindas Australia.

SIZE
A4

SCALE
N.T.S



DRAWN BY: B.S
 CHECKED BY: --
 DWG REV: --

SF1

1. Dimensions are in millimetres.
2. Tolerance on all dimensions to be +/- 0.5mm unless noted otherwise.
3. Written dimensions take precedence over scaled dimensions.

1

2

3

4

5

6